



Valve Regulated Lead-Acid Rechargeable Battery

BP7-12

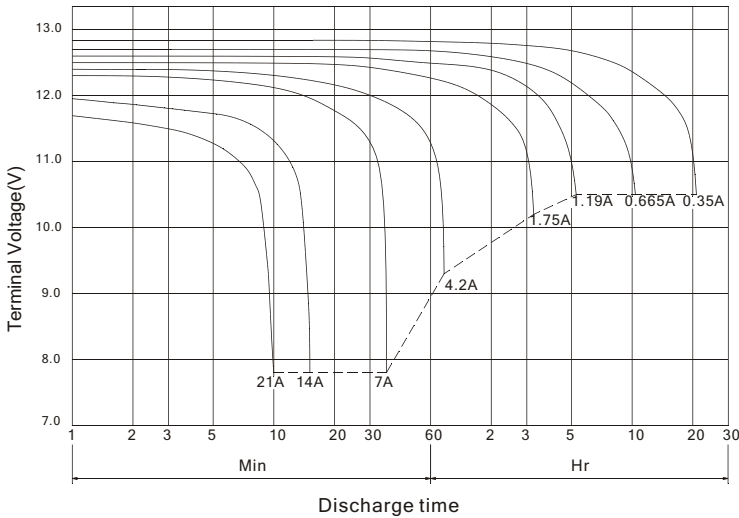


The battery is constructed by plates, separators, safety valves and container. Since the electrolyte is held by a glass-mat separator and plates, the battery can be used in any direction and position without leakage.

PERFORMANCE SPECIFICATIONS

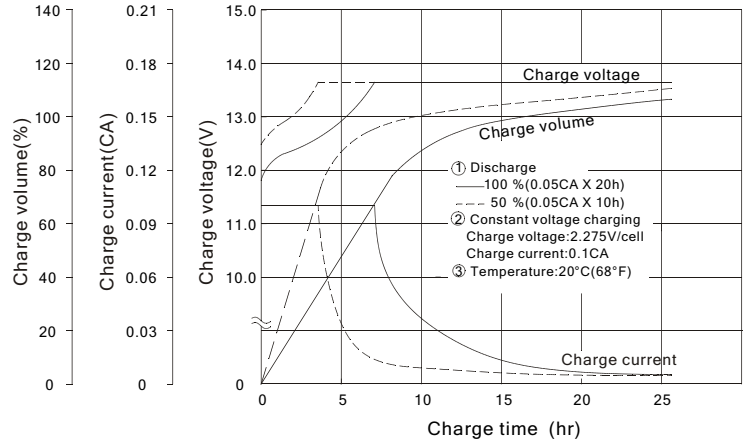
| | |
|---|--|
| Nominal Voltage(V)..... | 12 volts(6cells in series) |
| Nominal Capacity(AH) | |
| 20 hour rate F.V.(1.75V/cell) (350mA to 10.50volts) | 7.0A.H. |
| 10 hour rate F.V.(1.75V/cell) (665mA to 10.50volts) | 6.65A.H. |
| 5 hour rate F.V.(1.75V/cell) (1190mA to 10.50volts) | 5.95A.H. |
| 1 hour rate F.V.(1.55V/cell) (4200mA to 9.30volts)..... | 4.2A.H. |
| Approximate Weight..... | 2540g.(5.60lbs.) |
| Terminal | |
| Standard..... | Type T2 |
| Optional..... | Type T1 |
| Internal Resistance (Fully Charged Battery)..... | <25m Ω |
| Maximum Discharge Current For 5 sec.(A)..... | 105A |
| Maximum Charge Current(A)..... | 2.1A |
| Ambient Temperature | |
| Charge..... | 0°C(32°F)~40°C(104°F) |
| Discharge..... | -20°C(-4°F)~50°C(122°F) |
| Storage..... | -20°C(-4°F)~40°C(104°F) |
| Vibration test: | |
| Frequency: 16.7HZ | |
| Amplitude: 4mm | |
| Vibrate the battery horizontally or vertically for 60 minutes. The battery have no abnormality. | |
| Case..... | ABS |
| Dimension(mm/inch) | |
| Length ±1.5mm..... | 151/5.94 |
| Width ±1.5mm..... | 65/2.56 |
| Container Height ±1.5mm..... | 93/3.66 |
| Total Height ±2mm..... | 98/3.86 |
| Application..... | UPS.Laboratory Equipment, Toy-Cars, Power Packs, Fishing Lights. |

BP7-12 Battery discharge characteristics (25°C/77°F)



Battery Charging Characteristics

(Typical example of the charge characteristics for the standby use)

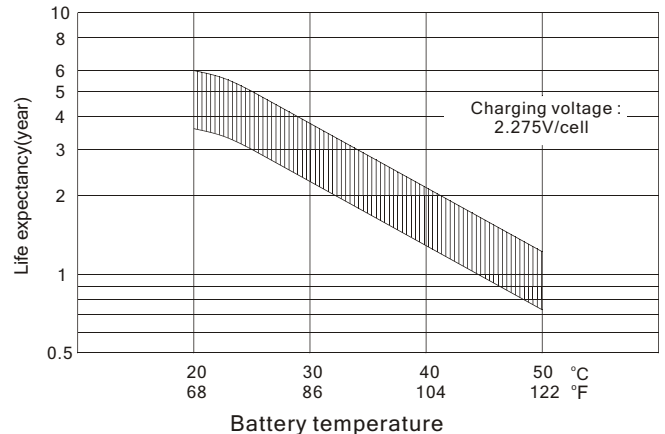


Charging Procedure

| Application | Charging method | Charging Voltage at 20°C (V/cell) | Temperature compensation coefficient of charging voltage (mV/°C/cell) | Max. charging current (CA) | Charging time 0.1CA, 20°C (h) | | Temp (°C) |
|--------------------------|---|-----------------------------------|---|----------------------------|-------------------------------|---------------|--------------------|
| | | | | | 100% discharge | 50% discharge | |
| For standby power Source | Constant voltage & Constant current charging (with current restriction) | 2.25~2.30 | -3 | 0.3 | 24 | 20 | 0~40 (32~104°F) |
| For cycle service | | 2.40~2.50 | -4 | 0.3 | 16 | 10 | |

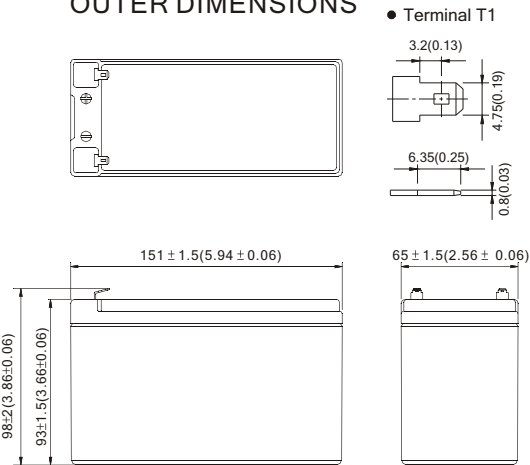
*Temperature compensation of charging voltage is not needed, when using the batteries within 5°C to 35°C range.

Effect of Temperature on Long Term Float Life



TERMINAL TYPE

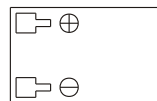
OUTER DIMENSIONS



Constant power discharge characteristics at 25°C/77°F

| Final Voltage | Discharge time | | | | | | | | |
|---------------|-------------------------|-------|-------|-------|-------|-------|-------|------|------|
| | 5Min | 10Min | 15Min | 30Min | 1Hr | 3Hr | 5Hr | 10Hr | 20Hr |
| | Battery output power(W) | | | | | | | | |
| 10.80V | 253.1 | 186.3 | 149.3 | 88.8 | 50.95 | 20.40 | 14.07 | 7.86 | 4.11 |
| 10.50V | 292.9 | 201.8 | 156.2 | 92.2 | 52.47 | 20.81 | 14.28 | 7.98 | 4.20 |
| 10.20V | 311.2 | 209.1 | 161.0 | 94.3 | 53.42 | 21.00 | 14.36 | 8.02 | 4.22 |
| 9.90V | 325.2 | 214.1 | 164.7 | 95.6 | 54.06 | 21.15 | 14.41 | 8.04 | 4.23 |
| 9.60V | 336.0 | 218.4 | 168.0 | 96.6 | 54.60 | 21.27 | 14.45 | 8.04 | 4.23 |

TERMINAL POSITION



B.B. BATTERY CO., LTD.

Web Site: <http://www.bb-battery.com>

USA:
B&B BATTERY(USA) INC.
6415 RANDOLPH ST.COMMERCE,
CA,90040 U.S.A.
TEL:1-323-278-1900-1-800-278-8599
FAX:1-323-278-1268
E-Mail:sales@bb-battery.com

EUROPE:
B&B BATTERY(EUROPE) B.V.
3 WIJNGAARDVELD, 9300 AALST,BELGIUM
TEL:(00)32-53781567
FAX:(00)32-53781567
E-Mail:hansdevriese@bb-battery.com

CHINA FACTORY:
B.B. BATTERY CO., LTD.
CHENG DONG TRIAL AREA,HUANG GANG,
RAOPING, GUANG DONG,CHINA,515700
TEL:86-768-7601001-2
FAX:86-768-7601469
E-Mail:maggy@bb-battery.com

HONG KONG:
NATIONAL TRADING LTD.
TEL:852-2301-3800
FAX:852-2739-1182
E-Mail:bbhk@hkstar.com

JAPAN:
B&B BATTERY(JAPAN) CO., LTD.
1375-11 NARAHARA-MACHI,HACHIOJI,
TOKYO 193-0803,JAPAN.
TEL:81-426-25-6375
FAX:81-426-25-6375
E-Mail:miyata@bb-battery.com

TAIWAN:
B.B. BATTERY(TAIWAN) CO., LTD.
TEL:886-6-502-5150
FAX:886-6-589-8087
E-Mail:maggy@bb-battery.com

