

NPL SERIES - **NPL100-12**

NPL Valve Regulated Lead-acid Batteries (VRLA)

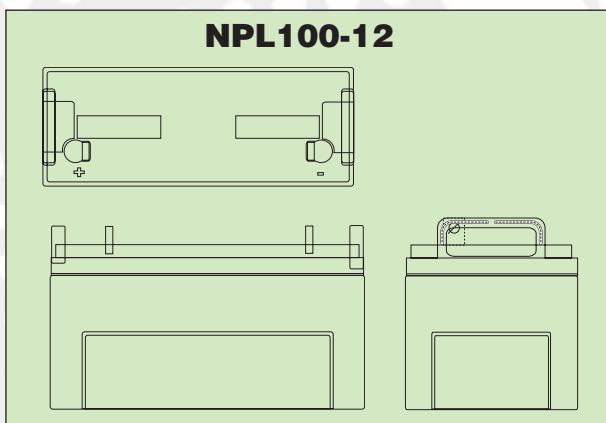
The NPL range is an enhanced NP design resulting in a longer service life (7 - 10yrs). All other attributes and operational characteristics are the same, thereby maintaining the benefit of a common mechanical and electrical design for users of both products.



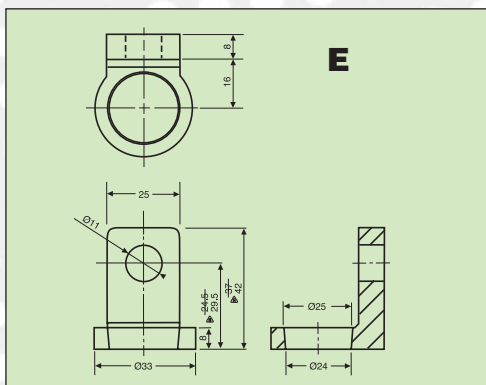
FEATURES

- Yuasa VRLA batteries can be used in any orientation excluding continuous use inverted.
- Standard case material is flame retardant to (UL94) HBØ.
- FR option case material is flame retardant to UL94:VØ (oxygen index 30).
- NPL batteries are manufactured in factories that comply with ISO 9001:2000.
- FR option NPLs comply with BS6290 Part 4 (1997).
- NPL batteries comply with IEC 60896-21+22.

Layout



Terminals



Operational Temperature Range

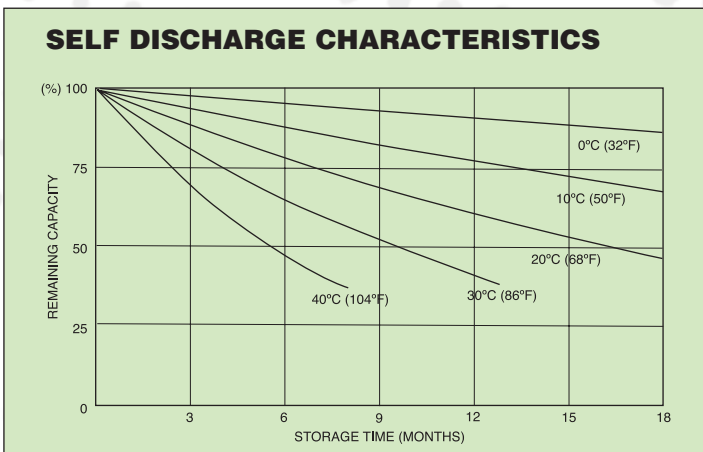
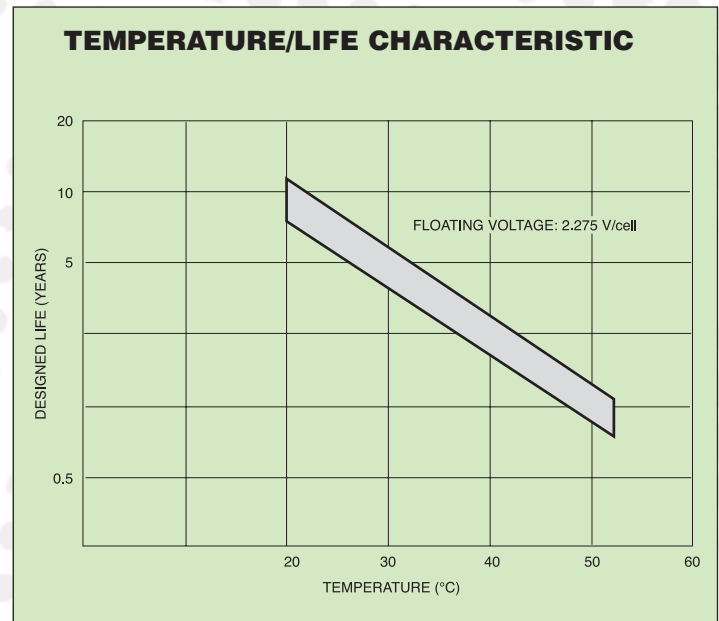
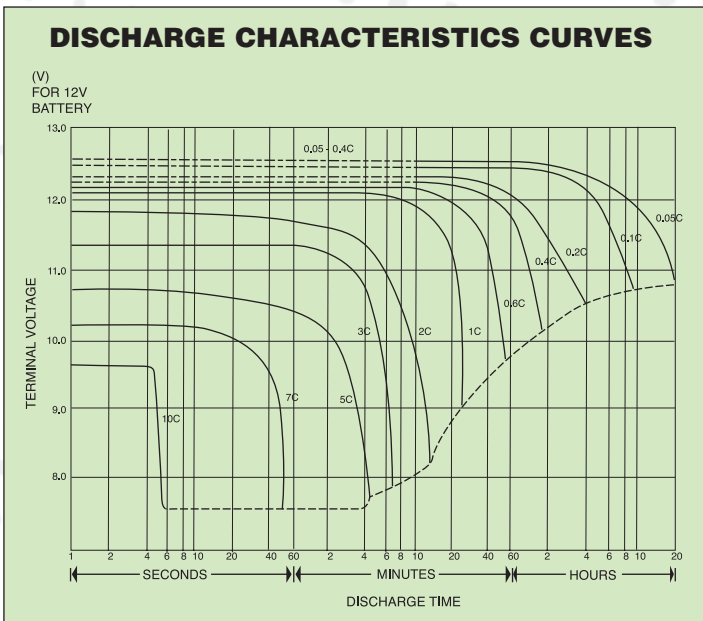
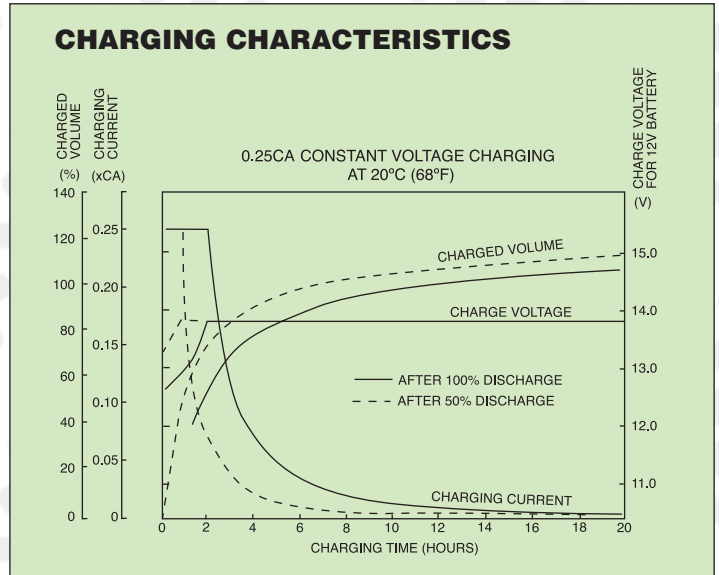
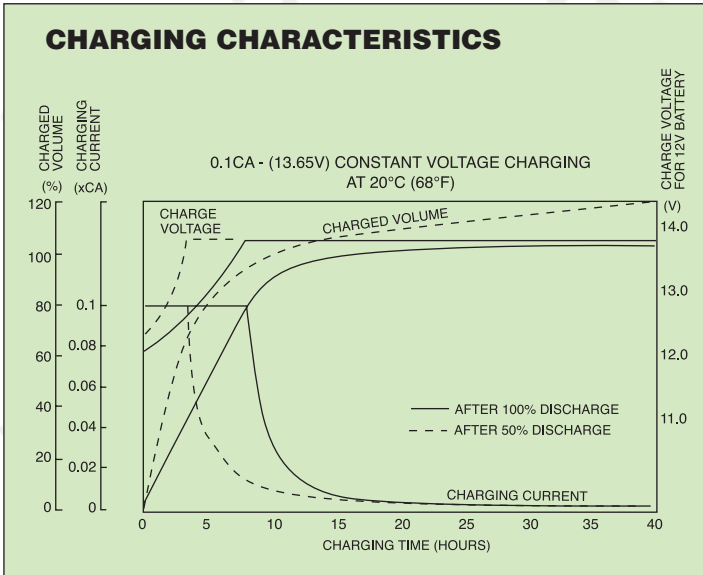
Charge	-15°C to 50°C
Discharge	-20°C to 60°C
Storage	-20°C to 50°C (fully charged condition)

General Specifications

Nominal Capacity (Ah)	NPL100-12
20hr to 1.75vpc 20°C	100
10hr to 1.75vpc 20°C	93
5hr to 1.70vpc 20°C	84
1hr to 1.60vpc 20°C	60
Voltage	12
Energy Density (Wh/L)	75
Specific Energy (Wh. kg)	29
Int Resistance (m.ohms)	4
Maximum discharge (A)	500
Short Circuit current	800
Dimensions (mm) +/- 2mm	
Length	407
Width	172
Height overall	240
Weight	39
Terminal	E
Torque (Nm)	16.5

Applications

- Security and Fire • UPS
- Telecoms • Emergency Lighting



Charging Methods (at 20°C)

Standby use: Float charging voltage 2.275vpc

CAUTION

- Avoid short circuit.
- Do not charge in a sealed container.
- Service life and operational characteristics will be affected by temperature.
- AC Ripple reduces service life.



Yuasa Battery Sales (UK) Ltd

Unit 22 Rassau Industrial Estate
Ebbw Vale, Gwent, NP23 5SD
Tel: 08708 500312 Fax: 08708 500317
E-mail: enquiries@yuasa-sales.co.uk

Registered number 1548820

Cat. No. NPL100-12 February 07

E&O.E.

Distributed by