



EnerRocket™
CONTINUOUSLY SAFEGUARDING

ES 26-12

SMF VRLA RECHARGEABLE BATTERY

**LONG
LIFE
SERIES**

APPLICATIONS

- UPS Systems
- Telecommunication Systems
- Fire Alarm Safety & Security Systems
- Medical Equipment

COMPLIANCE STANDARDS

- IEC 60896 PART 21 & 22
- BS6290-4

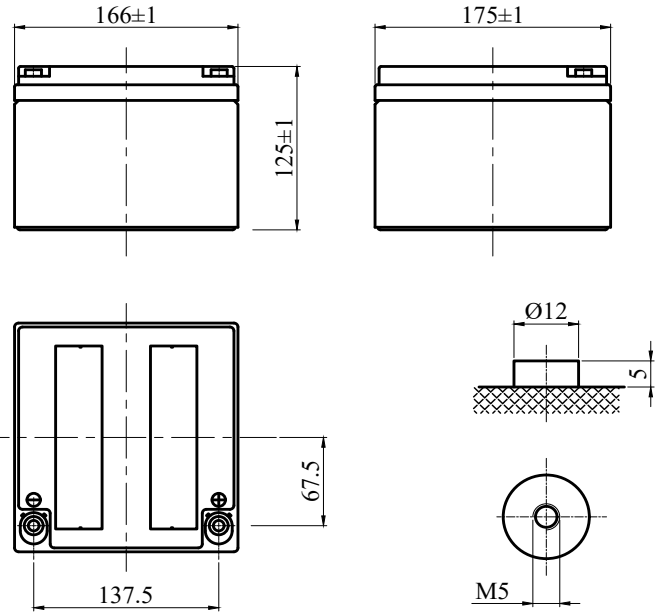
TECHNICAL FEATURES



- Non-Spillable Sealed Construction
- Seal Lead Acid Battery
- Absorbent Glass Mat System (AGM System)
- ABS (Acrylonitrile Butadiene Styrene) construction (FR optional)
- Gas Recombination
- Venting System for low internal pressure
- Low Self-Discharge
- Heavy-Duty, Highly Optimized Grids
- High Power Output
- Wide Operating Temperature
- Maintenance-Free Operation

CHARACTERISTICS

Nominal Voltage	12 V	
Design Life	10 Years	
Capacity 25°C (77°F)	20 Hour rate	24Ah
	10 Hour rate	23.7Ah
	5 Hour rate	20.5Ah
Internal Resistance (25°C, 100% Charge)	≤ 12 mΩ	
Self Discharge (20°C)	1 Month	Remaining Capacity 97%
Operating Temperature	Discharge	-20°C - 60°C
	Charge	-10°C - 60°C
	Storage	-20°C - 60°C
Normal Operating Temperature	25°C ± 3°C	
Maximum Discharge current	300A (5sec)	
Maximum Charging current	9.6A	
Short Circuit Current	1200A	
Charge Methods	14.4 to 14.7V	
Constant Voltage Charge 77°F (25°C) - Cycle use	Temp. Compensation -30mV/°C	
Charge methods	13.4 to 13.8V	
Constant Voltage Charge 77°F (25°C) - Standby Use	Temp. Compensation -20mV/°C	



SPECIFICATIONS

Length	Width	Height	Total Height	Weight (kg)
166 mm	175 mm	125mm	125 mm	8.1 ± 5%

CONSTANT CURRENT DISCHARGE (Amperes) AT 25°C

End Voltage Volts/Cell	5min	10min	15min	30min	1h	3h	5h	10h	20h
1.60	95.0	64.0	48.0	28.5	16.0	6.74	4.47	2.52	1.24
1.65	90.1	60.9	45.9	27.4	15.4	6.53	4.36	2.47	1.23
1.70	84.9	57.8	43.7	26.2	14.8	6.30	4.24	2.42	1.22
1.75	79.7	54.5	41.1	24.9	14.2	6.05	4.10	2.37	1.20
1.80	74.3	51.3	39.1	23.6	13.5	5.78	3.95	2.31	1.18

CONSTANT POWER DISCHARGE (Watts) AT 25°C

End Voltage Volts/Cell	5min	10min	15min	30min	1h	3h	5h	10h	20h
1.60	185	121	90.0	55.0	31.7	13.4	8.54	5.38	2.78
1.65	173	114	85.1	52.3	30.3	13.1	8.39	5.35	2.77
1.70	161	107	80.2	49.4	28.9	12.5	8.22	5.30	2.73
1.75	151	99.7	75.2	46.6	27.5	12.0	8.03	5.18	2.68
1.80	139	92.7	70.3	43.7	26.0	11.4	7.83	5.12	2.62



ES 26-12

SMF VRLA RECHARGEABLE BATTERY

**LONG
LIFE
SERIES**

